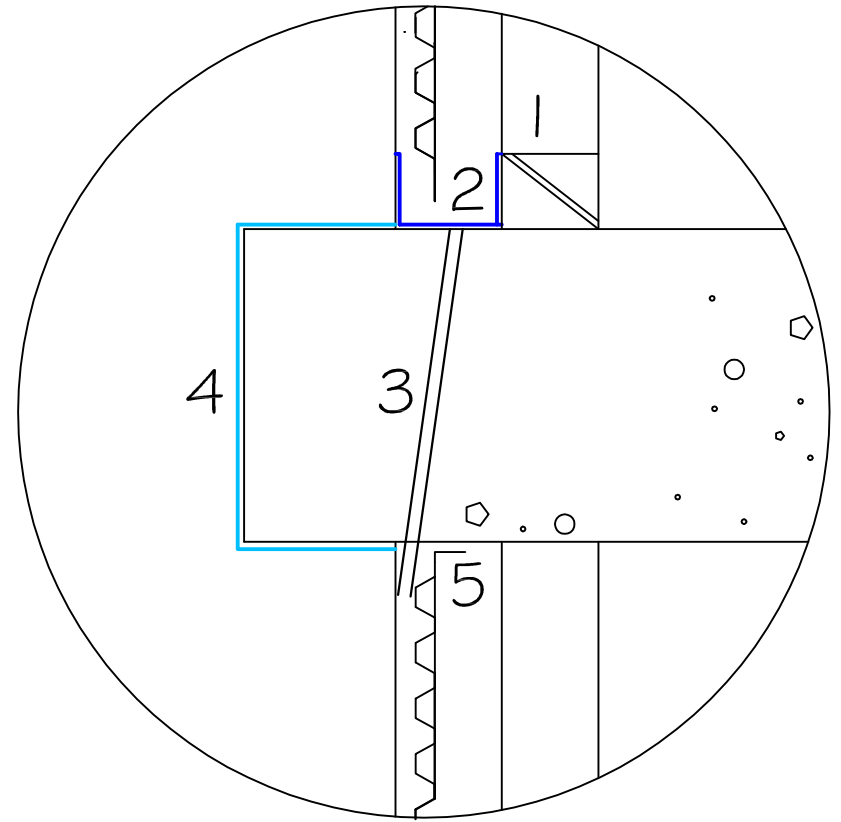
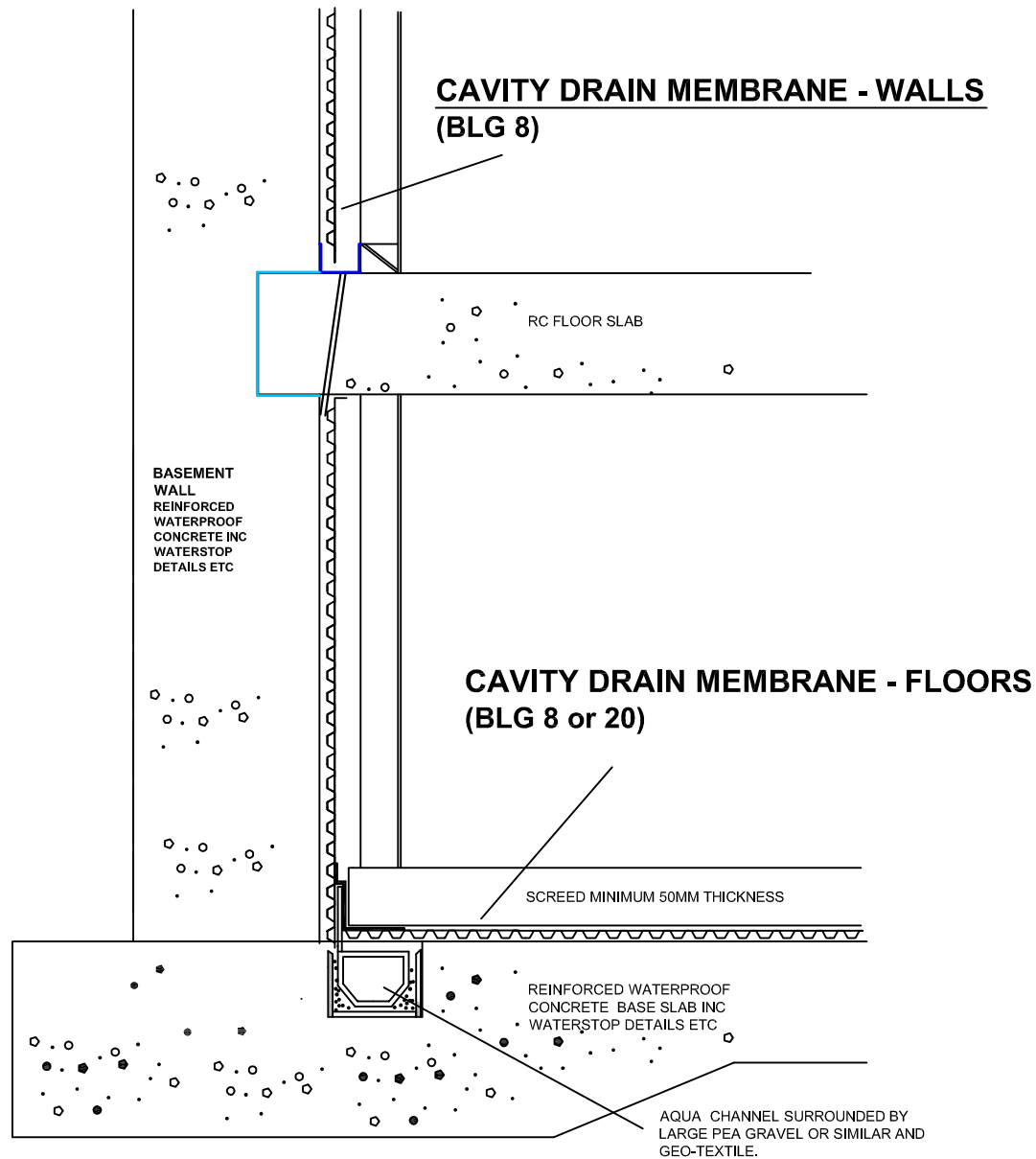


# SECTION DETAIL - MULTI STOREY BASEMENT



- 1 - ENGINEERING BRICK WITH DPC METAL OR TIMBER STUD PARTITION OVER
- 2 - 3 COAT TECHNOSEAL TO FORM SEALED CHANNEL DETAIL
- 3 - 32 OR 40MM HOLE DRILLED WITH PIPE FULLY SEALED AND FITTED. PIPE(S) TO DISCHARGE BEHIND LOWER WALL MEMBRANE
- 4 - 3 COAT TECHNOSEAL
- 5 - WALL MEMBRANE TO BE FIXED TO UNDERSIDE OF FLOOR SLAB

